




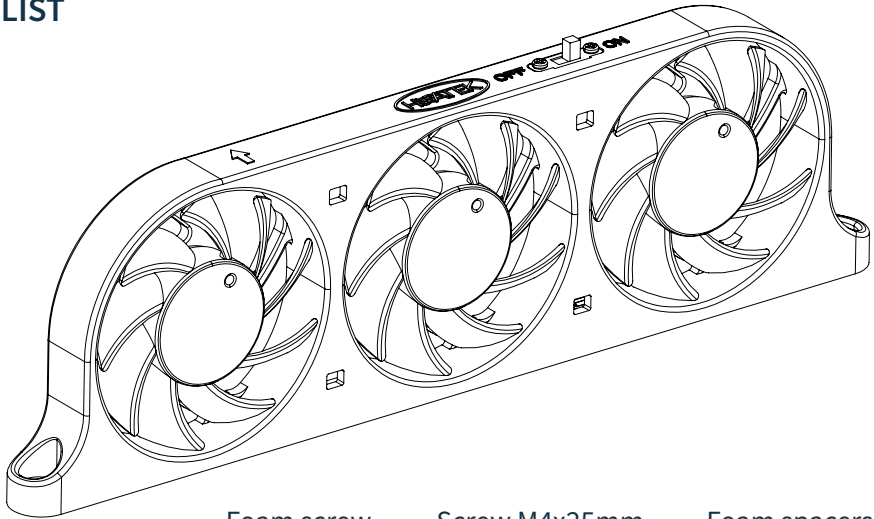
INSTALLATION MANUAL HEATEK CF1 VENTILATOR FOR ALL ABSORPTION REFRIGERATORS



This Ventilator can be installed to enhance the cooling performance of your refrigerator in difficult circumstances like very high ambient temperatures. The Ventilator will help to force out the warm air in the combustion area behind the refrigerator through the upper vent. That way, 'cooler' air can enter the combustion area through the lower vent and enhance the performance. The ventilator can be installed on all absorption refrigerators.

-  Make sure the refrigerator is not connected to any power source while installing the ventilator.
-  Because of internal wiring it is mandatory to only screw on the specified places, in order to prevent damage and shortcircuiting the internal wiring.
-  If the appliance is not installed in accordance with national and European regulations, rules and standards this will void the warranty.

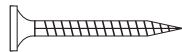
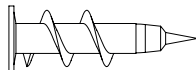
PART LIST



Foam screw

Screw M4x25mm

Foam spacers

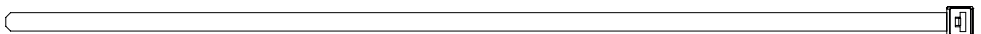


x 2

x 2

x 4

Cable tie



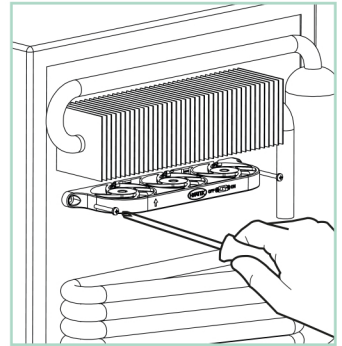
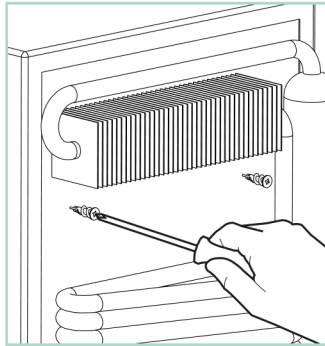
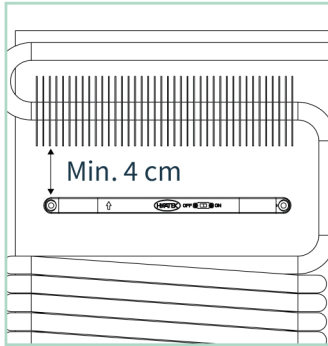
x 2

The ventilator can be installed in two different ways.

Choose your desired installation depending on the space available behind your refrigerator.

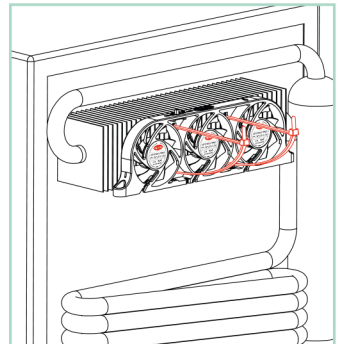
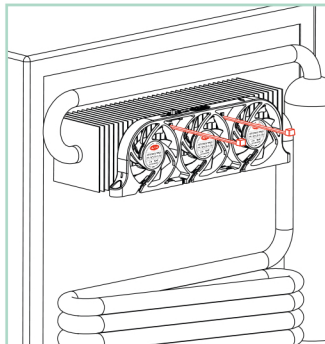
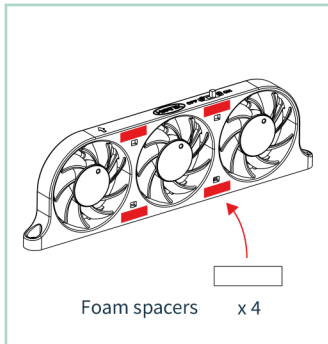


1 Place the ventilator under the slats with the supplied screws



1. Place the ventilator in the middle of the refrigerator, min. 4 cm under the slats. Mark the 2 points where you need to install the foam screws.
2. Use the screw driver to screw the supplied foam screws into the marked places.
3. Use the screw driver and the supplied screws to secure the ventilator with bracket on the foam screws, make sure the arrow on the ventilator is pointing upwards.

2 Place the ventilator on the slats with the supplied tie wraps



1. Place the foam spacers with self adhesive tape on the ventilator according to the picture above.
2. Place the ventilator on the slats with the arrow pointing away from the fridge. Insert the two cable ties through the holes on the top of the ventilator, ensure that the cable ties are around the tube of the slats.
3. Insert the two cable ties from the back through the holes at the bottom of the ventilator. Now tighten the cable ties.